

NDF100 / NDF125 / NDF150

Dual Fuel Burner

766kW - 4059kW



NDF100/125/150 Dual Fuel Burner features:

- Burner mounted control panel
- Simple switch changeover between fuels
- 2-stage control (high/low) NDF35-100
- Designed and approved in accordance with the European Standard EN 676 and EN267
- NDFL - Class 'D' oil 5.5 cSt @ 40°C
- NDFR - Class 'G' oil 40 cSt @ 100°C
- Fully closing air damper
- Oil Heater – Burner mounted pumping & heating unit included with burner to heat oil for atomisation for NDFR
(Intermittent operation during standby to maintain oil temperature for immediate restart)
- NDFR burners require a pre-heated ringmain oil supply, minimum temperature @ 83°C for Class 'G' oil
- All kW ratings are nett CV
- Suitable for high resistance boilers
- Industry standard components easily available
- Options Extras:
 - Modulating control (Std on NDF100-41 and above)
 - Air inlet silencer (Std on NDF100-41 and above)
 - Acoustic cover (wheel-over)
 - Water level control panel (AOTC)
 - Free-standing pumping & heating unit



For more information on all Mechmar products
please visit www.mechmar.com.sg

MECHMAR®

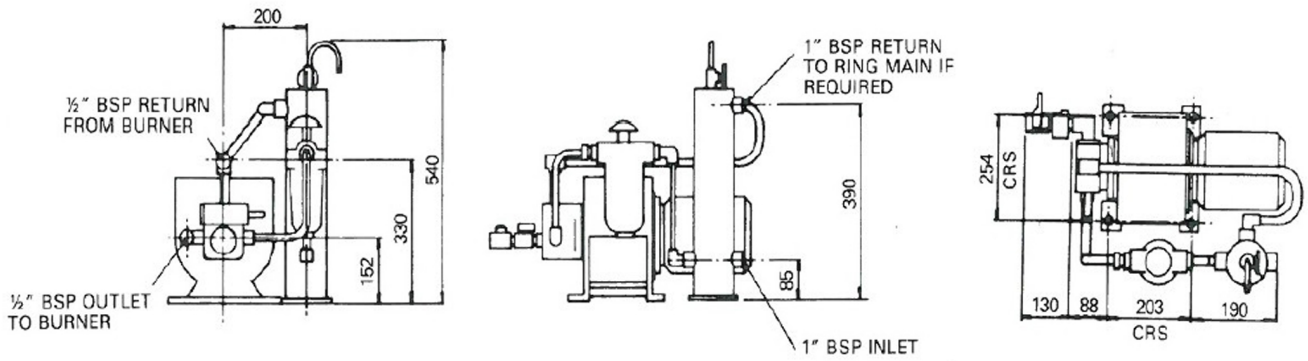
| | | NDFL – DISTILLATE FUEL MODULATING | | | | | | | | |
|--------------------|-----------------|--|---------------|---------------|------------------|---------------|---------------|------------------|---------------|--|
| | | Separate Panel and Pump Unit | | | | | | | | |
| Burner Type | | NDFL100 | | | NDFL125 | | | NDFL150 | | |
| Capacity | Kw | 766-2706 | | | 1786-3247 | | | 1308-4059 | | |
| | | 100-41 | 100-44 | 125-36 | 125-41 | 125-44 | 150-36 | 150-41 | 150-44 | |
| Fan Motor | V/ph/Hz | 380-420 / 3 / 50 | | | 380-420 / 3 / 50 | | | 380-420 / 3 / 50 | | |
| | kW | 11.0 | 11.0 | 7.5 | 11.0 | 11.0 | 11.0 | 11.0 | 15.0 | |
| Run Current | A/each phase | 24.0 | 24.0 | 17.5 | 24.0 | 24.0 | 24.0 | 24.0 | 31.0 | |
| Cable size | mm ² | 6.0 | 6.0 | 4.0 | 6.0 | 6.0 | 6.0 | 6.0 | 10.0 | |
| Fuse | A (HRC) | 50 | 50 | 40 | 50 | 50 | 50 | 50 | 50 | |
| Pump Motor | kW | 1.5* | 1.5* | 1.5* | 1.5* | 1.5* | 1.5 | 1.5 | 1.5 | |
| Control unit | | LFL | | | LFL | | | LFL | | |
| Flame monitoring | | UV Cell | | | UV Cell | | | UV Cell | | |
| Control Options | | Modulating | | | Modulating | | | Modulating | | |
| Air damper motor | | • | | | • | | | • | | |
| Pressure gauge | | • | | | • | | | • | | |
| Noise | @ 1m dBA | 92 | 92 | 92 | 93 | 96 | 92 | 93 | 96 | |
| Gross weight | kg | 300 | | | 420 | | | 420 | | |
| Packing dimensions | l x w x h (cm) | | | | | | | | | |

- Standard
- Other electrical supply options available on request.

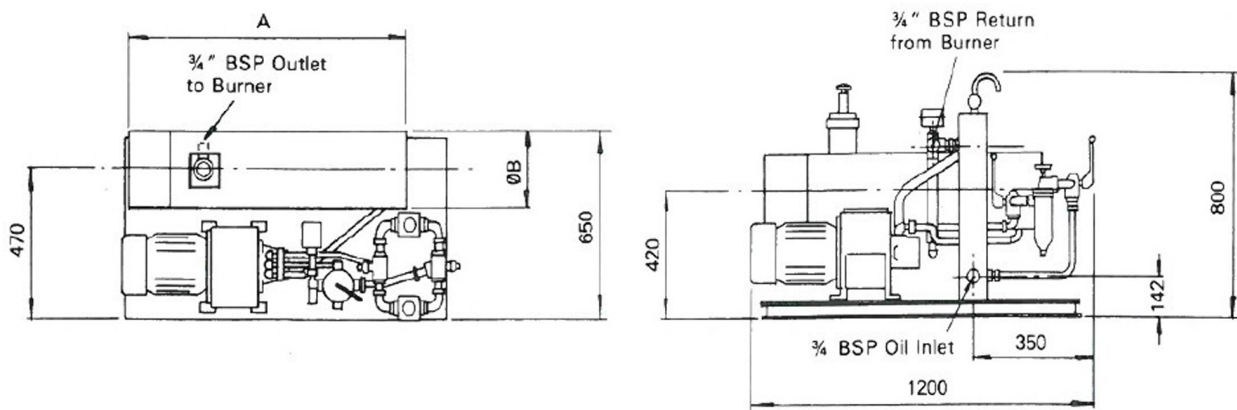
| | | NDFR – RESIDUAL FUEL MODULATING | | | | | | | | |
|--------------------|-----------------|--|---------------|---------------|------------------|---------------|---------------|------------------|---------------|--|
| | | Separate Panel and Pumping & Heating Unit | | | | | | | | |
| Burner Type | | NDFR100 | | | NDFR125 | | | NDFR150 | | |
| Capacity | kW | 766-2706 | | | 1786-3247 | | | 1308-4059 | | |
| | | 100-41 | 100-44 | 125-36 | 125-41 | 125-44 | 150-36 | 150-41 | 150-44 | |
| Fan Motor | V/ph/Hz | 380-420 / 3 / 50 | | | 380-420 / 3 / 50 | | | 380-420 / 3 / 50 | | |
| | kW | 11.0 | 11.0 | 7.5 | 11.0 | 11.0 | 11.0 | 11.0 | 15.0 | |
| Run Current | A/each phase | 35.0 | 35.0 | 30.5 | 37.0 | 37.0 | 41.0 | 41.0 | 48.0 | |
| Cable size | mm ² | 10.0 | 10.0 | 10.0 | 16.0 | 16.0 | 16.0 | 16.0 | 16.0 | |
| Fuse | A (HRC) | 60 | 60 | 60 | 60 | 60 | 80 | 80 | 80 | |
| Pump Motor | kW | 1.5* | 1.5* | 1.5* | 1.5* | 1.5* | 1.5 | 1.5 | 1.5 | |
| Pre-Heater | kW | 7.5 | 7.5 | 9.0 | 9.0 | 9.0 | 12.0 | 12.0 | 12.0 | |
| Control unit | | LFL | | | LFL | | | LFL | | |
| Flame monitoring | | UV Cell | | | UV Cell | | | UV Cell | | |
| Control Options | | Modulating | | | Modulating | | | Modulating | | |
| Air damper motor | | • | | | • | | | • | | |
| Pressure gauge | | • | | | • | | | • | | |
| Noise | @ 1m dBA | 92 | 92 | 92 | 93 | 96 | 92 | 93 | 96 | |
| Gross weight | kg | 400 | | | 520 | | | 520 | | |
| Packing dimensions | l x w x h (cm) | | | | | | | | | |

- Standard
- Other electrical supply options available on request.

All data calculated at 415 volts. Motors marked * are 4 pole. All others are 2 pole. Distillate fuel burners are monobloc. Residual fuel burners have separate pumping and heating units. Modulating burners have separate control panel. Motors 5.5kW and over are star delta start. 1 kW = 1.34 HP. run currents are for oil firing when on gas, this will be reduced to burner motor only unless oil is circulated.



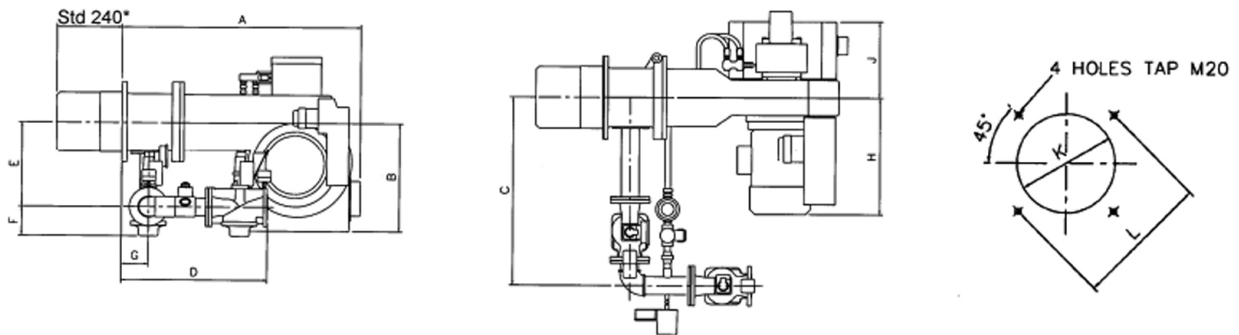
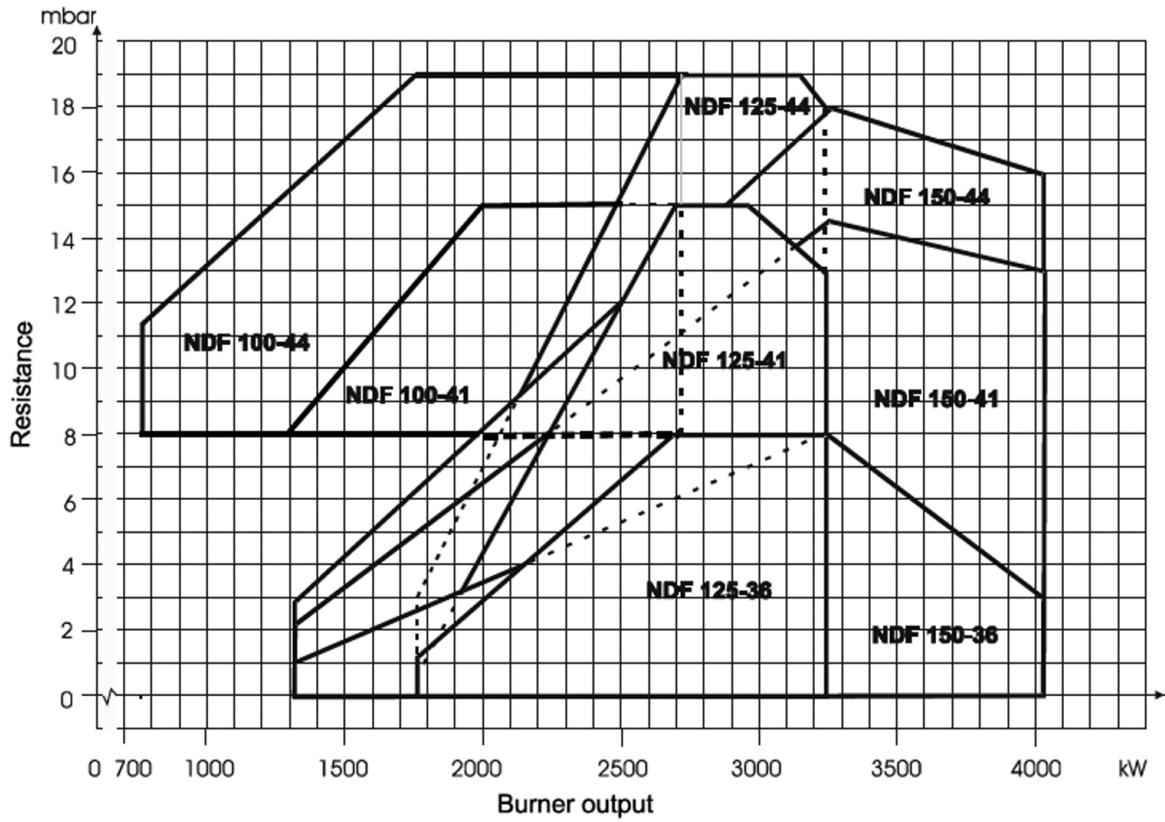
NDFL Modulating: Pump Unit



| KW | Dim A | ØB |
|-----------|-------|-------|
| 4.5 & 6.0 | 692mm | 155mm |
| 7.5 & 9.0 | 684mm | 224mm |
| 12.0 | 586mm | 224mm |

NDFR Modulating and Sliding High/Low: Pump Unit

BURNER SELECTION CHART



| Burner | A | B | C | D | E | F | G | H | J | K | L |
|-------------------|------|-----|-----|-----|-----|-----|-----|-----|-----|-----|-----|
| NDF100-41, 44 | 1245 | 500 | 955 | 760 | 445 | 165 | 141 | 600 | 385 | 350 | 454 |
| NDF125-36, 41, 44 | 1245 | 500 | 955 | 760 | 445 | 165 | 141 | 600 | 385 | 350 | 454 |
| NDF150-36, 41, 44 | 1245 | 500 | 925 | 760 | 410 | 165 | 141 | 600 | 385 | 350 | 454 |

MECHMAR (PTE) LTD

56 Kian Teck Road Singapore 628791 Tel: 6268 3048 Fax: 6261 4049
E-mail: mechmar@singnet.com.sg Website: www.mechmar.com.sg

