

MOL 795 Oil Burner



MOL 795 Oil Burner features:

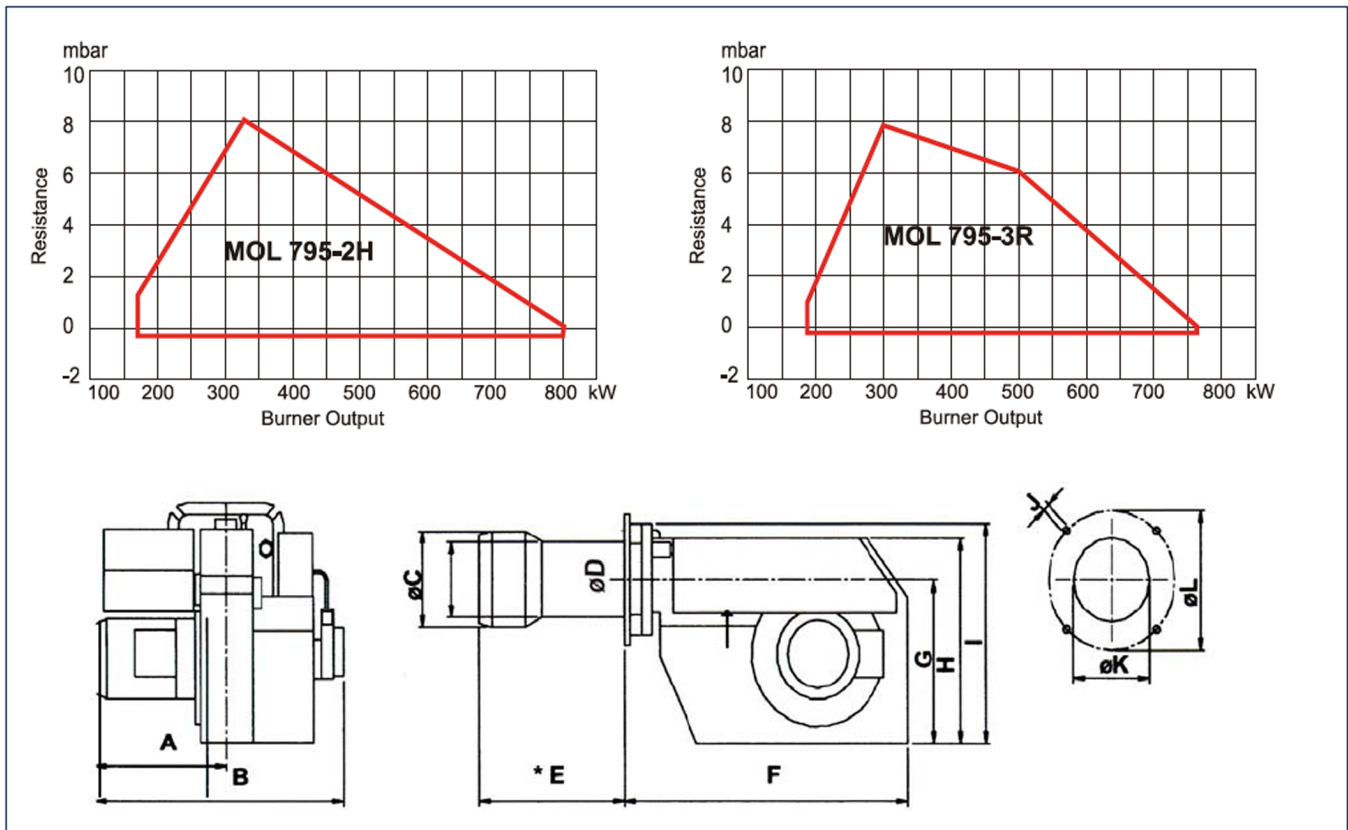
- Energy saving and compatible with environmental requirements
- Quiet in operation and designed for easy maintenance
- Reliable and trouble-free
- Designed and approved in accordance with the European Standard EN 267
- Suitable for high resistance boilers
- Industry standard components easily available
- Designed for high/low operation
- Plug-in contact facilitates the installation
- With hydraulic air or servo motor adjustment
- Optional diffuser plate optimiser
- Fuel – Light distillate oil Class D (1.5-5.5 cSt @ 40°C)
- All kW ratings are nett CV



For more information on Mechmar products
please visit www.mechmar.com.sg

MECHMAR®

Type		MOL 795-2H	MOL 795-3R
Capacity	Kw	166-795	166-759
Motor	V/Hz W / A (Fuse) + A (control fuse)	400 / 50 750 / 3 x 16 + 6	400 / 50 750 / 3 x 16 + 6
Start / Run Current	Amps	9.3 / 2.1	9.3 / 2.1
Control box		Landis & Staefa	Landis & Staefa
Fuel pump		Danfoss	Danfoss
2-Stage		•	•
Gross weight	kg	50	50
Volume	m ³	0.30	0.30



	2-nozzle	3-nozzle	Servo motor	Hydraulic air regulation	Diffuser plate optimiser
MOL 795	•		•		
MOL 795-2H	•			•	
MOL 795-3R		•	•		•

MECHMAR (PTE) LTD

56 Kian Teck Road Singapore 628791

Tel: 6268 3048 Fax: 6261 4049

E-mail: mechmar@singnet.com.sg

Website: www.mechmar.com.sg

