

MOL 350 Oil Burner



MOL 350 Oil Burner features:

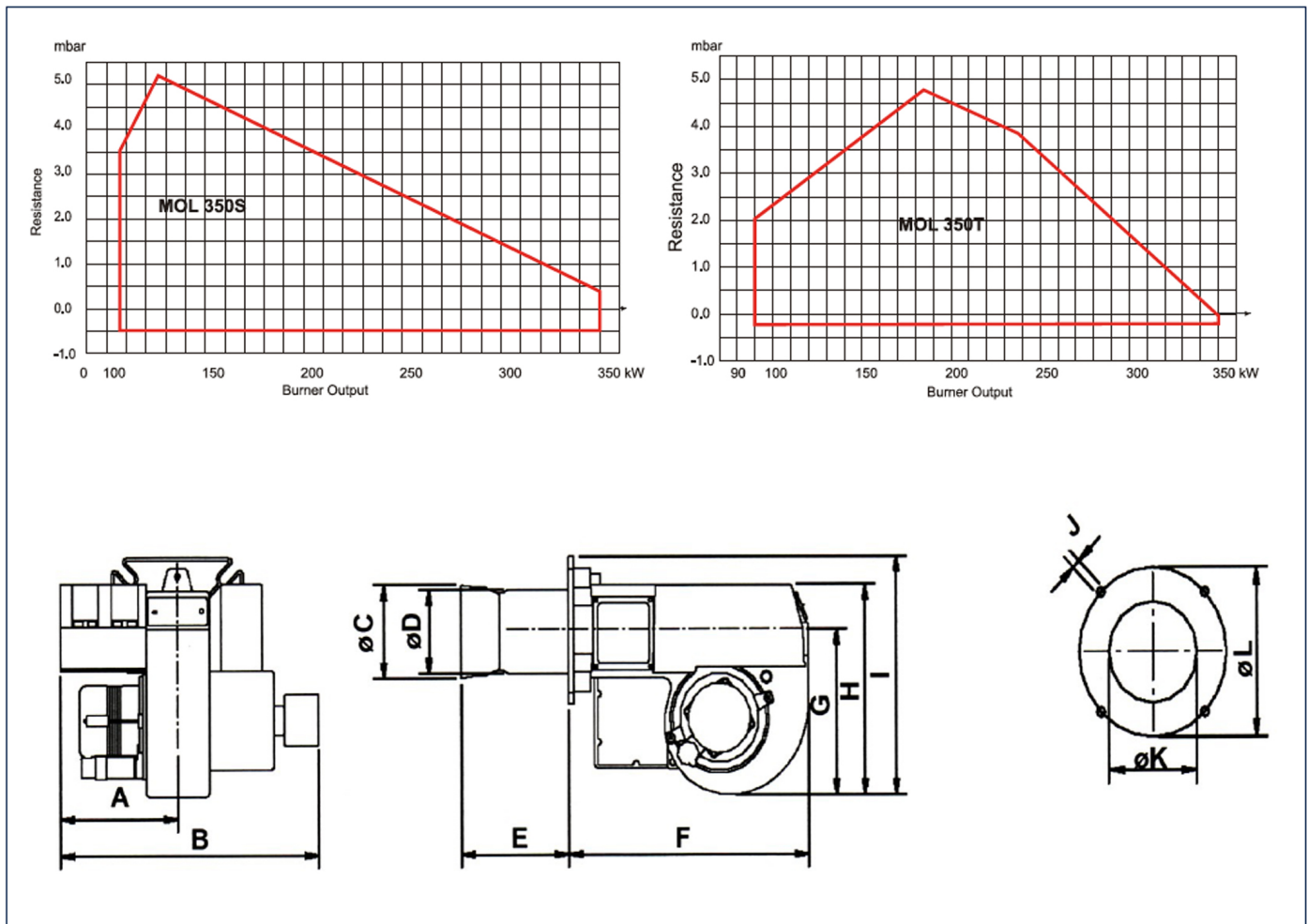
- Energy saving and compatible with environmental requirements
- Quiet in operation and designed for easy maintenance
- Reliable and trouble-free
- Designed and approved in accordance with the European Standard EN 267
- Suitable for high resistance boilers
- Industry standard components easily available
- Designed for on/off and high/low operation
- Plug-in contact facilitates the installation
- With hydraulic air adjustment
- Fuel – Light distillate oil Class D (1.5-5.5 cSt @ 40°C)
- All kW ratings are nett CV



For more information on Mechmar products
please visit www.mechmar.com.sg

MECHMAR®

Type	MOL 350 S1L		MOL 350 T1L
Capacity	kW		95-350
Motor	V/Hz	230/50	230/50
	kW / A (Fuse)	250 / 10	250 / 10
Start / Run Current	Amps	10.4 / 2.4	10.4 / 2.4
Control box		Landis & Staefa	Landis & Staefa
Fuel pump		Danfoss/Suntec	Danfoss/Suntec
2-Stage			•
Gross weight	kg	23	23
Volume	m ³	0.11	0.11



Burner	A	B	øC	øD	E*	F	G	H	I	J	øK	L
MOL 350 S1L	195	400	126	114	172	420	260	310	360	M12	135	200-230
MOL 350 T1L	207	435	130	114	174	420	260	310	360	M12	135	200-230

* Extended Lengths Available

MECHMAR (PTE) LTD

56 Kian Teck Road Singapore 628791

Tel: 6268 3048 Fax: 6261 4049

E-mail: mechmar@singnet.com.sg

Website: www.mechmar.com.sg

MECHMAR®