

MOL 1175 Oil Burner



MOL 1175 Oil Burner features:

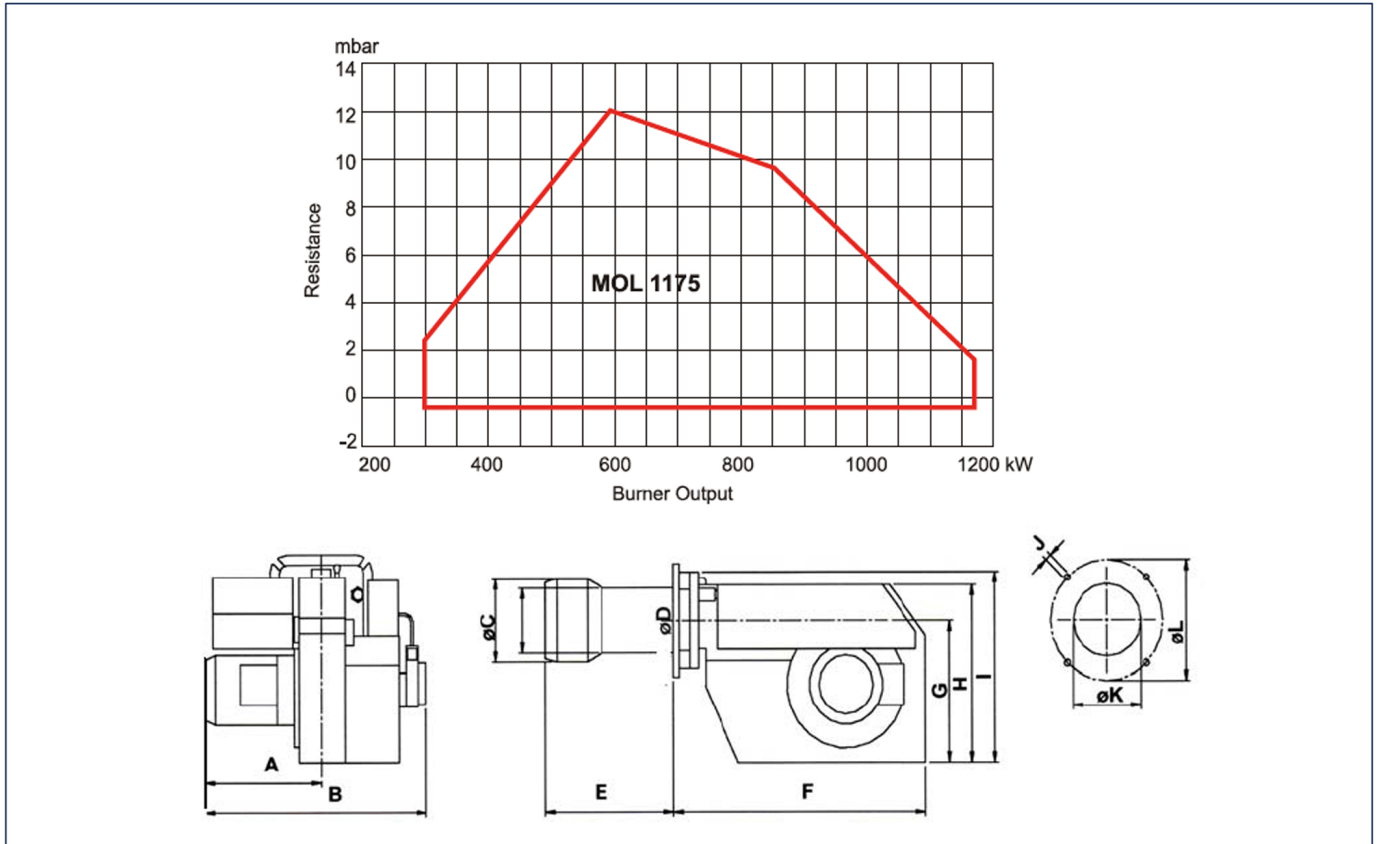
- Energy saving and compatible with environmental requirements
- Quiet in operation and designed for easy maintenance
- Reliable and trouble-free
- Designed and approved in accordance with the European Standard EN 267
- Suitable for high resistance boilers
- Industry standard components easily available
- Designed for 2 or 3 stage operation
- Plug-in contact facilitates the installation
- With hydraulic air or servo motor adjustment
- Fuel – Light distillate oil Class D (1.5-5.5 cSt @ 40°C)
- All kW ratings are nett CV



For more information on Mechmar products
please visit www.mechmar.com.sg

MECHMAR®

Type		MOL 1175	
Capacity		kW	285-1174
Motor		V/Hz	400 / 50
Start / Run Current		kW / A (Fuse) + A (control fuse)	1.5 / 3 x 16 + 6
Control box		Amps	14.5 / 2.9
Fuel pump			Landis & Staefa
Gross weight		kg	50
Volume		m ³	0.30



Burner	A	B	øC	øD	E*	F	G	H	I	J	øK	L
MOL 1175	290	595	210	155	258	610	321	400	405	M12	(160) 215	254-295

* Extended Lengths Available

	2-nozzle	3-nozzle	Servo motor	Hydraulic air regulation	Diffuser plate optimiser
MOL 1175-2	•		•		
MOL 1175-2H	•			•	
MOL 1175-3R		•	•		•

MECHMAR (PTE) LTD

56 Kian Teck Road Singapore 628791

Tel: 6268 3048 Fax: 6261 4049

E-mail: mechmar@singnet.com.sg

Website: www.mechmar.com.sg

MECHMAR®